

The Link

Summer 2008



Promoting reuse and recycling in Nebraska

Rain Barrels - A Growing Idea

Back in February, Lincoln Watershed Management Educator Amanda Meder contacted the Exchange looking for 55 gal plastic food grade drums. She didn't need them herself but for the numerous visitors to the InterLinc rain barrel web page looking to build their own. After a brief explanation of how the Exchange works, she offered to put our contact information on the site, & on retailer cards they hand out at demonstrations. The response has been very encouraging.

Since Watershed Management began promoting rain barrel use online and at local market events just over a year ago, there's been a definite increase in interest. None of the 6 retailers in town who stocked them this spring have a single barrel remaining. Even better as far as reuse is concerned, the Exchange has received no fewer than 40 requests for rain barrels since being put on the Watershed web page - 20 in the last month alone! Whether for runoff reduction, water conservation, or the ability to water flower-beds on drought no-use days, rain barrels provide an affordable and ecological solution for most home-owners. Residents in Omaha and other Missouri river communities with combined sewer systems have the added incentive of helping to alleviate storm-water stress.

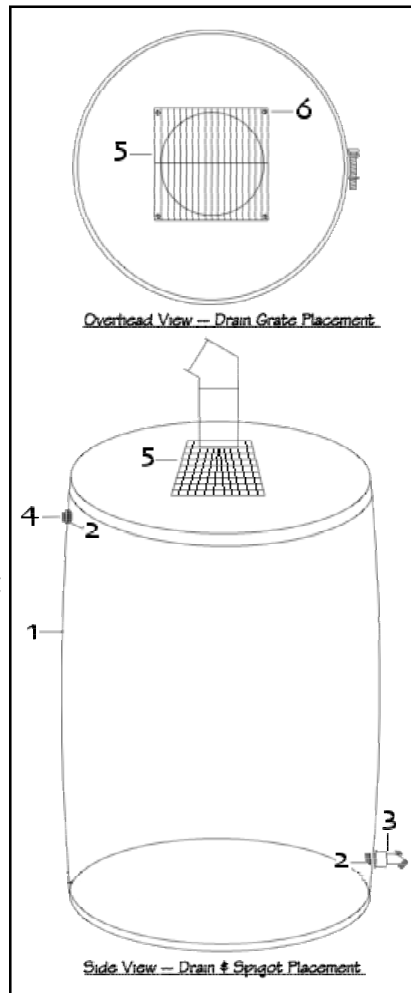
We currently have only 1 food grade generator and it's in Omaha, so have been referring people to a reuse/recycler. While the drums aren't free (\$10/ 55 gal, \$4/ 20 gal) the recycler usually has food grade drums, and all barrels are guaranteed to be triple rinsed. Opaque barrels are preferable since sunlight promotes algae growth. Clear barrels then should be painted with a double coat of Krylon spray paint. Get creative - a colorful rain barrel may even enhance the look of your yard or garden! That said, there is more to a rain barrel than the plastic drum. Here's a brief explanation of how to build your own.

Materials:

- . #1 - 55 gal plastic barrel
- . #2 - 3/4" lock nut (2)
- . #3 - 3/4" faucet
- . #4 - 3/4" pipe thread to hose bib (1/2" poly drain plug optional)
- . #5 - 9" square drain grate & insect-proof screen
- . #6 - 6/32" flat-head bolt & wing nut (4)

Tools:

- . drill w/ 6/32" bits
- . jigsaw w/metal blade
- . 1" hole saw
- . 1/2" hole saw



Instructions: Use two people to ensure proper construction.

Spigot and hose adaptor:

- . Use a 1" hole-saw to make a hole 4"-7" from the base of the barrel to allow for clearance of a hose.
- . Wrap the threads of the 3/4" faucet with Teflon tape (2-3 revolutions). Insert the threaded end of the faucet into the barrel, and apply silicon caulk.
- . Attach a 3/4" lock nut (#2) to the threaded end and tighten to ensure a secure fit.

Overflow hole:

- . Use a 1" hole-saw to make a hole approximately 3" from the top of the barrel.
- . Wrap the threads of the 3/4" pipe thread to hose bib (#4) with Teflon tap (2-3 revolutions).
- . Insert the non-hose threaded end into the barrel, and apply silicon caulk.
- . Attach a 3/4" lock nut (#2) to the threaded end and tighten to ensure a secure fit.
- . Insert drain plug or attach hose for overflow to another barrel as desired.

Drain grate:

- . Make a pilot hole in the center of the lid of the barrel, using a 3/4" drill bit.
- . Use a permanent marker to trace a circle 7" in diameter in the center of barrel top.
- . Cut the traced area with a jigsaw metal cutting blade. Cut a piece of insect-proof screen, with a 2" overlap on the perimeter of the bottom of the lid.
- . Secure the grate to the lid using 4 6/32" bolts with wingnuts. If the lid is removable. (For non-removable lids use threaded screws of equal diameter.) For better flow, place on cement blocks or a stand, and don't forget to drain & remove from the downspout before the first hard freeze in the fall to prevent expanding and cracking.

THE NEBRASKA MATERIALS EXCHANGE PROGRAM IS MANAGED BY:
KEEP NEBRASKA BEAUTIFUL
3201 PIONEERS BLVD., STE.118

LINCOLN, NE 68502
402-486-4622

EMAIL: INFO@KNG.ORG

WEBSITE: <WWW.KNB.ORG>

JANE POLSON

Executive Director

PETER STADIG

Program Manager

KATHLEEN JACOBSON

Facilitator

Board of Directors

GEORGE ACKER

Ogallala

JIM BALLARD

Raymond

ROGER BEHRNS

Louisville

MATT BOERKIRCHER

Kearney

KURT BOGNER

Norfolk

BRUCE BONFLEUR

Rushville

SCOTT CARRICO

Omaha

JIM GOEKE

North Platte

DENNIS GRAMS

Lincoln

DONALD L. GREEN

COLUMBUS

PATTY GREENE

Plattsmouth

MATT HAZEN

Omaha

PATRICK HENRY

Omaha

JASON C. KENNEDY

McCook

BETH ANN KERNES KRAUSE

Julian

SARA MORRIS

North Platte

MICHAEL MOSTEK

Omaha

TOM NEAL

Omaha

RAY NORRIS

Osceola

PAUL O'HARA

Lincoln

JIM OTTO

Lincoln

GARY SEEGER

Omaha

DICK VARNER

Omaha

KEVIN WARNEKE

Omaha

Ex-Officio Members

DAVE HEINEMAN

Governor, State of Nebraska

MIKE LINDER

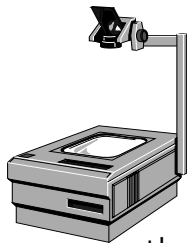
Director, Dept. of Environmental Quality

DAVID STERN, EMERITUS



Fabric More Than Just Scrap

A manufacturer in Lincoln contacted us at the end of last year generating a steady supply of fabric scrap. Vinyl of multiple weights and colors, and something they call "Sunbrella" fabric are available in various lengths and sizes. After receiving samples of each, we were so encouraged by the quality, quantity and diversity of material that we contacted a variety of schools and organizations even if they weren't necessarily looking for fabric. It should be noted that both materials are fire resistant and sewable and that the heavier weights are also water repellent. To date, 7 different groups have picked up more than 250 lbs. of the scrap, mostly for use in arts & crafts projects. While that amount is only a swatch in the proverbial sample book, we're hopeful that by continuing to spread the word, more schools and art groups will realize the reuse value before recyclers take it all.



Overhead Savings

In April, a Lincoln firm let us know that their spring cleaning turned up a plethora of overhead transparency materials they no longer needed. We sent an email notification to some 30 schools and non profits letting them know that this stuff would go fast, and boy did it ever. Less than 1 hour later, a school contacted us to say that they would head right over and pick it up. In all, the school received 3 boxes of transparency frames, 7 boxes of protectors, 8 boxes of print-on transparencies, and 5 boxes of write-ons for a total projected savings of some \$300 – and that's at clearance prices!

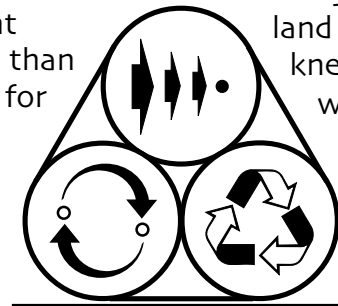


Frosty Scrap Art

Two years ago we told you about Justin Jones, a musician and aspiring vegetable grower who moved some 26 tons of limestone block in his small Chevy pick-up. With dreams of building a passive solar home on land he purchased near Crete, he knew that some day the stone would make a great facade. A May update revealed that he has continued collecting material, building cabinets, and doing interior millwork when time allows. A good deal of the wood he's using been deconstructing for the last couple of years.

Last fall, he contacted us with numerous barn board left over from the project, and wanted to see it go to good use. We put the call out to potential seekers who quickly picked up the majority of the leftovers.

We discovered in April that one of the takers was Norris Elementary School art teacher Patti Elwood. She picked up more than 180 boards towards the end of last year for use on a winter art project. Excited by her enthusiasm for the work her kids had done, we quickly asked for pictures and as you can see, she was rightfully proud of her students work! It's clear that these wonderfully painted panels will grace the homes of their creators each holiday season for years to come!



SUCCESS STORIES

Material	Qty.	ID#
Highlighted Items (New Items Since Winter 2007 Issue)		
Seeking		
Art Supplies	any/any	F i r t - 6 4 9 9
Batteries	any/any	B e a t - 6 5 6 9
Buildings for Deconstruction	ns/ns	G o e h - 6 6 1 3
Cell Phones-Used	any/any	L i n c - 6 6 4 3
Chairs-Theater Style	400/1x	O m a h - 6 6 1 0
Chemicals-Variou	any/any	T I I A - 6 5 9 8
Crumb Rubber	ns/ns	T I I A - 6 5 9 7
Electronics for Recycling-No Monitors	any/any	L i n c - 6 6 4 5
Fence-Chain Link & Orange Webbing	250' ea/1x	N o B e - 6 5 5 6
Florescent Tubes	any/any	B e a t - 6 5 6 8
Food Processing Waste Products	1600 t/mo	L i n c - 6 5 5 0
Medical Equipment	ns/ns	S u p e - 6 5 4 9
Mono Ammonium Phosphate	30-40 t/mo	K E I A - 6 5 4 6
Oil Filters-Used	any/any	F t C a - 6 5 7 6
Paint	ns/ns	L i n c - 6 6 2 9
Partitions/ Sinks/Faucets	any/any	N o B e - 6 5 5 8
Plastics for Regrind	any/any	M A I A - 6 5 7 3
Playground Equipment	any/any	L i n c - 6 4 6 3
Space Heater	1/1x	G r I s - 6 4 8 4
Stepping Stool/Ladder	any/any	L i n c - 6 4 7 3
Table Tops (Science Lab)	any/any	N o B e - 6 5 5 7
Tables & Chairs	any/any	L i n c - 6 5 7 4
TV w/ DVD or VHS	ns/ns	L i n c - 6 5 7 5

Generating		
Band Uniforms-Purple (\$)	50/1x	B e e m - 6 4 8 7
Beekers & Test Tubes	188/1x	B e e m - 6 4 8 6
Carbon Black & Silica Mixture	145t/yr	L i n c - 6 5 2 3
Caster Oil-Peacock Blown Z8	45 gal/1x	G r I s - 6 6 6 9
Caustic Soda	4-55gal drums/1x	O S K S - 6 5 6 4
Desks - Student	35/1x	B e e m - 6 4 8 5
Fabric/Vinyl	lg qty/mo	L i n c - 6 4 9 7
Gaylords	ns/ns	I m p e - 6 4 7 1
Hydrochloric Acid (mostly ph2)	19-55gal drums/1x	O S K S - 6 5 6 2
Lumber-Reclaimed	ns/ns	G o e h - 6 6 1 2
Oil-Used	3semi/wk	T I I A - 6 5 8 2
Polyester Fabric - Uncoated	150t/yr	L i n c - 6 5 2 1
Rubber Dust - Ground Vulcanized Black	100t/yr	L i n c - 6 5 2 4
Rubber - Vulcanized Black Trimmings	150t/yr	L i n c - 6 5 2 2
Sodium Hydroxide	24-55gal drums/1x	O S K S - 6 5 6 3
Stove- Large Oil Burning (\$)	1/1x	N A K S - 6 5 1 9
Super Sacks	600/yr	O m a h - 6 5 0 5
Theater Seats	50/1x	N o P l - 6 6 6 4
Tin Roofing	200'-300'	G o e h - 6 6 1 1
Tires & Tubes/Used Bicycle	70/wk	L i n c - 6 6 6 5
Totes - 265 gal Triple Rinsed (\$65ea)	ns/mo	L i n c - 6 5 6 1
VCR's & Rewinders	9&4/1x	L i n c - 6 6 6 7
Veg. Oil & Sludge w/Meal, Sugars, etc	75,000 gal/day	S o S i - 6 5 6 6
VHS Tapes-15 min Blank	2,300/1x	L i n c - 6 6 6 8
Wood Crates-Heat Treated	10,000/yr	P U T N - 6 6 0 1

Material	Qty.	ID#
Ag Products		
Seeking		
Fallen Farm & Feedlot Animals	any/any	B e l v - 1 0 5 2
Food By-Products	any/any	A N I A - 1 9 4 1
Organic Products	lg qty/ns	T I I A - 3 9 3 2
Straw Bales	ns/ns	L i n c - 1 5 1 9
Windmill/Water Pump	1/1x	L i n c - 5 9 1 8

Generating		
Horse Manure w/ Wood Chips	1t/wk	V a l l - 5 2 5 4
Syrup Products	50 t/mo	T I I A - 3 5 7 7

Chemicals		
Seeking		
Acid	ns/ns	L i n c - 2 4 3 9
Agricultural Chemicals	lg qty/ns	B R I N - 5 3 1 9
Chemical Waste	ns/ns	O m a h - 3 5 1 3
Molybdenum Scrap/Salts	ns/ns	C I O H - 6 1 3 8

Generating		
Arsenic	50ml/wk	H a s t - 6 3 8 6
Chromium Hydroxide	1-2 t/wk	x x x x - 4 6 8 1
Mineral Spirits	4-6,000 gal/1x	T I I A - 5 6 1 3

Construction Materials		
Seeking		

Bricks, Concrete Block, etc	ns/ns	L i n c - 5 2 0 7
Concrete Rubble, Brick, Limestone	any/any	L i n c - 3 1 2 0
Construction Materials	ns/ns	O m a h - 3 3 1 9
Construction Materials	ns/ns	L i n c - 5 5 1 1
Construction Materials	ns/ns	L i n c - 5 5 3 3
Construction Materials - Various	any/any	O m a h - 5 7 9 7
Cabinets	ns/ns	L i n c - 1 5 1 7
Fencing - Privacy	ns/ns	L e x i - 5 7 0 6
Roofing Materials	ns/ns	L i n c - 5 2 0 5
Sink - Large Commercial	ns/ns	L e x i - 6 0 4 8
Window Glass/Solar Panels	ns/ns	L e x i - 5 5 3 8

Generating		
Brick (& Mortar - Must Deconstruct)	sm bldg/1x	J u l i - 6 1 8 9
Concrete Rubble	10 tl/1x	G r e e - 5 7 1 8
Construction Materials	any/any	L i n c - 6 1 5 7
Drywall Scrap	24 - 4'x4'/mo	A u r o - 1 2 4 9
OSB (Wafer Board) Scrap	8 - 4'x4' plt/mo	A u r o - 1 2 5 1
OSB Board	2 plt/1x	L i n c - 5 9 1 6
Vinyl Siding Scrap	3-4 dmptr/mo	A u r o - 1 2 5 6
Windows,doors,shutters	ns/1x	C e B l - 6 3 1 7

Containers & Pallets		
Seeking		

Boxes - Cardboard; 16"x16"x12"	lg qty/ns	S u t h - 2 1 1 6
Drums/Buckets - Plastic 5-55 gal	ns/ns	K e a r - 1 1 0 2
Drums - Plastic, Steel	ns/ns	O m a h - 1 1 7 3
Drums - Plastic 20 & 35 gal	ns/ns	N o r f - 2 7 3 2

Please note: Due to space limitations, the listings in the newsletter are not inclusive. For a complete list of materials being sought or generated by program participants, please go to our website at www.knb.org or call us at 402-486-4622.

\$=charge	dmptr=dumpster	ml=milliliter	plts=pallets	semi=semi-truck load
1X=one-time amount	gd=gaylord	mo=month	pu=pickup load	tl=truck load
cont=container	lg=large	ns= not specified	qtr=quarter	t=ton
cu. yd.=cubic yard	ltr=liter	og=ongoing	qty=quantity	wk=week yd=yard

Material	Qty.	ID#
Duplication Fluid	600-800 gal/yr	O m a h - 5 2 7 4
Fencing	ns/ns	L i n c - 5 5 2 2
Fencing - Privacy	ns/ns	L e x i - 5 7 0 6
Fencing Wire	any/any	L i n c - 6 0 1 4
Furniture - Regulated Childcare	any/any	L i n c - 6 1 9 3
Gardening Items	ns/ns	L i n c - 5 6 7 3
Headboard - Queen-sized Bookcase	1/1x	L i n c - 6 3 8 4
Home Furnishings - Beds,Sofas, etc	any/any	L i n c - 6 3 4 6
Home Supply - clocks,irons,fans,rugs,etc	any/any	L i n c - 6 3 5 3
Inkjet Cartridges - Fax, Laser Copier	ns/ns	O m a h - 4 1 7 8
Ink Cartridges - Used	any/any	S i d n - 6 0 9 9
Kitchen Equipment	any/any	L i n c - 6 1 9 4
Kitchen Equipment - Pots,Pans,Dishes	any/any	L i n c - 6 3 4 9
Litho Negatives	any/og	O m a h - 5 6 4 7
Medical Equipment	any/any	O m a h - 6 3 4 4
Mercury Barometers	ns/ns	C o l u - 3 1 0 9
Mercury-Containing Devices	any/all	S P M N - 5 8 2 0
Music Related Items	ns/ns	L i n c - 5 4 8 1
Music Related Items - Instr.s,Stands, etc	any/any	L i n c - 6 3 2 2
Native Plants	ns/ns	R o c a - 5 6 5 7
Office Supplies	any/any	N o r f - 5 8 4 5
Picnic Tables	any/any	L i n c - 6 2 4 4
Plants - Perennial Outdoor	any/any	L i n c - 5 9 0 8
Printer Cartridges - Empty	any/all	C r e t - 5 4 9 5
Printer Cartridges	8/mo	C r o f - 5 5 4 9
Trash Can Liners	500/qtr	N o P l - 5 1 3 0

Generating

Adding Machine Tape	60-100/1x	S c o t - 5 7 1 7
Books	nany/any	B e a t - 5 9 6 3
Cash Register Rolls	10/1x	S c o t - 5 7 1 7
Diatomaceous Earth	100 t/mo	B l a i - 2 0 1 5
Satellite Dish	2/1x	C e B l - 6 3 1 9
Wine Bottles - Blue, Red	200/mo	R a y m - 2 3 8 2

Paint, Glass, Coatings

Seeking

Glass - Brown	lg qty/ns	O g a l - 4 2 8 2
Paint - Interior & Exterior	any/any	O m a h - 5 7 9 8
Paint - White for Soccer Field Outline	any/any	L i n c - 5 8 0 7

Generating

Glass - Mixed Crushed	semi/1x	O m a h - 5 9 3 8
Paint - White	ns/ns	O m a h - 3 5 9 1
Paint-Oil Based Safety Blue Spray Style	3-55 gal drum/ 1x	O m a h - 6 2 6 6
Paint - Var kinds,colors,amts	ns/1x	C e B l - 6 3 1 5

Paper & Cardboard

Seeking

Books - used or damaged	any/any	R O I L - 5 6 7 6
Books	any/any	L i n c - 6 3 9 2
Boxes - 24"x24"x36"	ns/ns	L i n c - 5 3 7 1
Cardboard/Paper	any/ns	O m a h - 1 9 3 4
Cardboard/Paper	any/ns	L i n c - 2 4 9 8
Cardboard/Paper - Office Pak	ns/ns	F r e m - 4 1 7 3

Material	Qty.	ID#
Cardboard	2 pu/1x	L i n c - 5 6 9 3
Copy Paper	20 reams/qtr	C r o f - 5 5 5 0
Paper - Office/Computer	ns/ns	O m a h - 1 9 4 7
Paper Products - Envelopes, etc	ns/ns	L i n c - 5 2 0 3
Paper Scrap	semi/og	U N O H - 5 6 7 4
Paper	any/any	O m a h - 5 9 8 9

Generating

Books - Older	ns/ns	O r l e - 3 6 4 8
Cardboard - Flattened	ns/ns	O m a h - 2 4 3 4
Cardboard	2 plt/wk	A l l i - 4 6 0 9

Plastics

Seeking

#1/#2 Plastics	ns/ns	L i n c - 3 6 5 3
#1/#2 Plastics	lg qty/ns	O g a l - 4 2 8 1
#2 Plastics	lg qty/ns	K e a r - 5 6 3 9
Bubblewrap/Packing Peanuts	ns/ns	L i n c - 3 8 3 3
Bubblewrap	any/og	C r e t - 5 6 5 3
Carpet Pads - Polyurethane Foam	all/ns	O m a h - 1 6 2 3
Moldable Plastics	ns/ns	H a s t - 3 9 9 9
Packing Peanuts	ns/ns	L i n c - 5 3 7 0
Packing Peanuts	ns/ns	H a r v - 5 5 4 8
Plastics - Various	any/ns	L i n c - 2 4 9 9
Plastics - Recyclables	any/ns	O m a h - 3 9 3 0
Plastics - Recyclables	ns/ns	F r e m - 4 1 7 5
Plastics & Synthetic Textiles	lg qty/wk	K W T X - 4 8 7 9
Plastics	lg qty/ns	A T O H - 5 6 1 4
Plastics	lg qty/ns	J A M O - 5 6 1 9
Plastics - un/colored HDPE	ns/ns	O m a h - 5 9 4 0
Plastic Wrap	any/any	O m a h - 6 1 4 4
Plexiglass Panels	ns/ns	O m a h - 5 2 1 0
Polystyrene CD/DVD Cases	any/any	R O I L - 5 6 7 7
Sacks - Plastic or Paper	ns/ns	O m a h - 4 9 7 9
Shrinkwrap	any/og	O m a h - 5 6 4 6
Styrofoam/Packing Peanuts	ns/ns	P l D a - 4 0 5 7
Trashcan Liners	any/any	O m a h - 5 3 2 0

Generating

Packing Peanuts	2 boxes/1x	B e n n - 5 8 4 2
PET/EVOH/LLDPE Roll Stk - Restr Use	10 t/mo	P L M N - 6 4 0 2
Plastic Regrind	ns/ns	O m a h - 2 9 3 6
Plastics - All	100 t/wk	M O T N - 5 0 5 4
Polypropylene/Polyester Sheet Rolls	150 t/yr	V a l l - 3 7 7 9
Polystyrene Beads	10 t/yr	C o l u - 5 4 5 7
Zip-lock Bags - 3"x6"	200/mo	L i n c - 1 5 2 1

Rubber

Seeking

Rubber	lg qty/ns	O m a h - 3 9 1 0
Rubber - Uncured	any/any	H a s t - 5 9 1 9
Rubber Scrap - (Un)Cured	any/any	N E T N - 6 2 1 2

Please note: *The Nebraska Materials Exchange Program provides information about current listings and does not physically take possession of any items. Transportation details or monetary compensation (if any) for listed items is the responsibility of the parties involved.*

Material	Qt	ID#
<u>Generating</u>		
Rubber Scrap - Cured & Uncured	20t/wk	M c C o - 1 2 8 3
Rubber/Cork Scraps	20t/mo	N e C i - 2 4 1 6
Rubber-Crumb (for sale)	ns/ns	D M I A - 4 1 9 5
Rubber Infill for Synthetic Fields	ns/ns	D M I A - 5 7 3 3
Rubber - Bromo Butyl	20 t/1x	N E T N - 6 2 1 1
Rubber-Wire Braid & Textile Hose	75 t/mo	N o r f - 6 2 6 7

Sand, Gravel, & Clay

<u>Seeking</u>		
Gravel, Rock	ns/ns	L i n c - 5 2 0 8
Gravel, Rock, & Boulders	any/any	L e x i - 5 9 0 1

<u>Generating</u>		
Glass Blasting Material - Used	lg qty/ns	x x x x - 3 0 4 9
Gypsum	100t/mo	B l a i - 5 6 4 2
Rock & Rubble	2 t/1x	C e B l - 6 3 1 4

Surplus Equipment

(See also Durables & Electronics)

<u>Seeking</u>		
Appliances	lg qty/ns	O g a l - 4 2 8 4
Blackboard/Dry Erase Board	ns/ns	L i n c - 5 2 3 0
Bleachers	any/any	L i n c - 5 9 0 5
Bookcases	1/1x	L i n c - 5 8 8 8
Chairs - Office	ns/ns	L i n c - 5 1 8 2
Chairs - Office	any/any	L i n c - 6 0 3 1
Chairs - Student Various Sizes	10/1x	Y o r k - 6 3 7 6
Chairs - Theater Style	ns/ns	O m a h - 6 4 5 8
ChairS-Rolling Desk	any/any	O m a h - 6 4 6 1
Chalkboards	any/any	O m a h - 6 4 6 0
Charts - Flip Style	any/any	O m a h - 6 4 5 9
Clothing Racks	ns/ns	O m a h - 4 8 2 1
Cooler - Lg.	ns/ns	L e x i - 5 5 7 2
Desks - Adult	ns/ns	L i n c - 5 1 8 3
Desks - Adult/Student	ns/ns	O m a h - 5 9 8 4
Desks - Student	10/1x	L i n c - 6 0 0 4
Display Case - Small	1/1x	L i n c - 5 4 5 0
Display Case - Jewelry	1/1x	L e x i - 5 5 7 3
Display Case/Cabinet	1/1x	A l l i - 6 4 2 0
Dollies/Carts	ns/ns	L e x i - 5 9 0 0
File Cabinet - 4 Drawer	1/1x	Y o r k - 5 5 7 6
File Cabinets - locking	ns/ns	L i n c - 5 6 6 0
File Cabinets	ns/ns	O m a h - 5 7 0 1
File Folders	any/1x	N o r f - 5 9 1 5
Folding Chairs	any/any	H e n d - 5 8 8 5
Furniture - Living/Bedroom etc.	ns/ns	W i n n - 4 9 6 9
Furniture - Dressers	ns/ns	S t P a - 4 9 7 7
Furniture - Office	ns/ns	L i n c - 5 4 2 1
Furniture	any/any	O m a h - 5 7 9 6
Furniture - Office	any/any	L i n c - 5 9 8 0
Golf Cart	1/1x	O m a h - 5 3 4 9
Home Furnishings - Beds,Sofas, etc	any/any	L i n c - 6 3 4 6

Material	Qty.	ID#
Hospital Beds/Wheelchairs	any/ns	L i n c - 5 6 8 4
Hospital Equipment	ns/ns	O m a h - 4 1 0 6
Kitchen Equip - Commercial Grade	ns/ns	O m a h - 5 2 3 5
KitchenEquip- Pots,Pans,Dishes etc	any/any	L i n c - 6 3 4 9
Landscaping Tools & Supplies	any/any	W h i t - 5 8 2 2
Mannequins	ns/ns	T a R o - 5 2 5 0
Medical Equipment	any/any	O m a h - 6 3 4 4
Mold Bases - Plastic Injection	1/1x	H a s t - 4 1 2 7
Office Furniture & Equipment	any/any	L i n c - 6 3 9 0
Pallet Racks	ns/ns	N o P l - 4 9 5 3
Pillows	100-200/all	O m a h - 4 9 9 4
Printers	any/1x	L i n c - 6 3 0 4
Projector - LCD	ns/ns	O g a l - 4 3 8 7
Projector	1/1x	P i e r - 5 8 6 9
School Lockers	ns/ns	W y n o - 4 1 6 4
Science Lab Equipment	ns/ns	L i n c - 5 4 8 0
Shelves	ns/1x	N o P l - 5 1 5 7
Shelves	any/ns	L e x i - 5 5 3 6
Shredder	1/1x	O m a h - 5 2 2 6
Shredder - Medium Duty Office	1-2/1x	N o r f - 5 8 4 4
Sink - Lg Commercial	1/1x	L e x i - 6 0 4 8
Solar Panels	any/any	L i n c - 5 6 9 3
Table - Folding	ns/ns	L i n c - 5 6 7 1
Table & Chairs - Conference/Boardroom	1/1x	O m a h - 5 8 2 6
Tables - Classroom	any/any	O m a h - 5 9 8 6
Telephone System - Multiline w/ 19 ph	1/1x	F r e m - 6 2 3 5
Tubs,whirlpools,spas for hospice	any/any	O m a h - 6 4 3 9
Welder/TIG	ns/ns	W i n s - 5 6 8 5
Welding Equipment	ns/ns	W i n s - 4 4 9 3
Wheelchairs, Walkers etc	ns/ns	C o z a - 3 1 0 5

Generating

Hog Feeder	1/1x	C e B l - 3 4 9 8
School Lockers - Built-In Style	ns/1x	C e B l - 6 2 7 9

Textiles & Leather

Seeking

Fabric - Batting for Quilts	varies/ns	L i n c - 4 0 1 7
Yarn & Thread	any/ns	O m a h - 3 9 1 4

Generating

Vinyl Scrap - Multi style/color	20t/3wks	L i n c - 6 3 2 3
Yarn - industrial, off white to yellow	5000 lbs/ mo	M c C o - 1 2 8 2

Wood

Seeking

Sawdust	ns/ns	V a l l - 6 1 3 5
Wood - Salvageable	ns/ns	L i n c - 1 5 1 8
Wood Waste	lg qty/ns	B e l l - 4 7 6 6
Wood/Paper Scrap-Ground	lg qty/daily	M e a d - 5 6 7 8

Generating

Mulch	lg qty/ns	L i n c - 3 9 7 2
Oak-Rough or Surface Cut Offs	2 semi/yr	B e a t - 1 3 7 2
Wood Waste/Mulch	lg qty/mo	B e a t - 6 4 2 7

Nebraska Materials Exchange

The purpose of this form is to identify any waste or surplus materials from one business, industry or school that could be utilized by another. The more information you provide, the more likely an exchange will occur.

Company/Organization

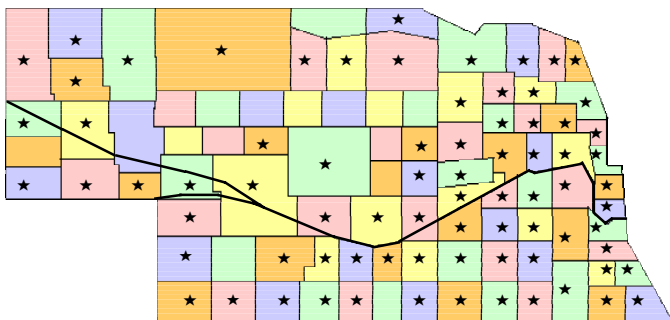
Contact	Date	
Mailing Address		
City	State	ZIP+4
Phone () 	Fax () 	

Note: Please complete all applicable items. If you have more than one item, please copy this form for each material, or attach a list of materials and the quantity of each one.

1. Is your company/organization a 501(c) 3 nonprofit organization? Yes No
2. May we release your name/address/phone to interested parties? Yes No
3. Are you **SEEKING** or **GENERATING** this material? Seeking Generating
4. **Please Specify Material Here:** *Generic name or primary usable constituent (If plastic, list mfg. & commercial name/grade #):

5. **List quantity** (in units: pounds, etc.): _____ **Per:** Day Week Month Quarter Year 1X only
6. **Physical state:** (if applicable) Liquid Slurry Solid Semi-solid Sludge Dust Cake Gas Other _____
7. **Packaging:** (circle one) Bulk Drums Dumpsters Gaylords Pallets Bales Other _____
8. **General information as known:** chemical composition, type of plastic, main ingredients, cost, pH, toxicity, reactivity, color, particle size, flash point, total solids, purchase date, industrial process generating this material, contaminants, etc.

9. **Available to interested parties:** (if applicable) Sample Lab Analysis Independent Analysis
10. **Please list any items your company would be willing to donate to schools or nonprofit organizations.** (Working computers, office furniture and equipment, cleaning supplies, etc.)



Thank you for your interest in the Nebraska Materials Exchange Program (MEP). We'll send a copy of our quarterly newsletter, **The Link**, & keep in contact regarding your listing. If a MEP referral results in a match, we'd appreciate the information.

Please mail or fax this form to:

Keep Nebraska Beautiful,
 3201 Pioneers Blvd., Suite 118, Lincoln, NE 68502-5963
 Fax: (402) 486-4563
 Applications can also be submitted via the website at
www.knb.org